

**EZ Panel Clamp-On Lockout**

TDS No. LOTO-45  
Effective Date: 11/20/2012

**Description:**

**Design**

- EZ Panel Loc system works on a wide range of breakers, including single and multi-pole configurations
- The unique lock rail system allows the panel door to be closed with lockouts in place, and keeps the weight of padlocks off of the breakers
- Clamp-On style is used on breakers that do not have a hole in the switch tongue, including multi-pole breakers with tie-bars
- Turn the thumbscrew to clamp lockout securely onto switch, then snap the cover closed to prevent thumb wheel from being loosened



**Material**

- Housing: Glass filled polyurethane
- Color: Red, PMS 1807
- Body, thumbwheel, key: Glass-filled Nylon
- Color: Black
- Spring form, screw, barb: stainless steel
- Stopper: Copper
- Sleeve: Aluminum

**Temperature Range**

- Glass-filled Nylon: -20° to 120°C (0° to 250°F)
- Glass filled polyurethane: -40° to 120°C (-40° to 250°F)

**Chemical Resistance**

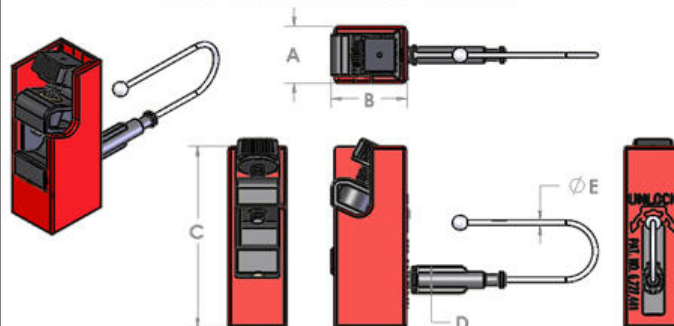
All approved chemicals listed are based on the manufactures specified chemical resistance chart for plastic material only.

Chemical	°C	Chemical	°C
Acetone	25	Petroleum	25
Acetone	60	Turpentine oil	25
Chlorine, chlorine water	25	Turpentine substitute (white spirit)	25
Fuel, engine: Gasoline (normal & premium grade)	85	Trichloroethane 1,1,1	45
Lubrication oil: gear oil	< 120	Lubricating oil: HD engine oils, hydraulic oils, transformer oils	< 120
Fuel, engine: M15 mixture (15% methanol)	70	Water (including seawater)	25
Methanol	25	Water (including seawater), chlorinated (<0,5 mg/l)	80

**Dimensions**

A	-	0.75" [18.8mm]
B	-	1.0" [24.5mm]
C	-	2.38" [60.5mm]
D	-	0.36" [9.14mm]
E	-	0.06" [1.47mm]

NOTE: CABLE LENGTH NOT TO SCALE.



**Warranty**

**Note:** All values shown are averages and should not be used for specification purposes. Test data and test results contained in this document are for general information only and shall not be relied upon by Brady customers for designs and specifications, or be relied on as meeting specified performance criteria. Customers desiring to develop specifications or performance criteria for specific product applications should contact Brady for further information.

Product compliance information is based upon information provided by suppliers of the raw materials used by Brady to manufacture this product or based on results of testing using recognized analytical methods performed by a third party, independent laboratory. As such, Brady makes no

independent representations or warranties, expressed or implied, and assumes no liability in connection with the use of this information.

**Manufacturer's Catalog**

Manufacture	Type	# Poles	Manufacture	Type	# Poles	Manufacture	Type	# Poles	Manufacture	Type	# Poles	Manufacture	Type	# Poles
American Switch	C	1	Cutler Hammer	GC	1-3	General Bect	TEB	1-3	Siemens ITE	BQH	1	Square D	Q1L	2-3
Bryant	BR	1	Cutler Hammer	GD	1-3	General Bect	TED	1-3	Siemens ITE	BQH	2-3	Square D	QO	2-3
Bryant	BR	2-3	Cutler Hammer	GDB	1-3	General Bect	TEF	1-3	Siemens ITE	CEd6	2-3	Square D	QOB	2-3
Challenger	C	1	Cutler Hammer	GHB	1-3	General Bect	TEL	3	Siemens ITE	CQD	1-3	Square D	QOM1-VH	2
Challenger	C	2-3	Cutler Hammer	GHBGFEP	1	General Bect	TBML	3	Siemens ITE	E2	1-3	Square D	QOM2-VH	2
Challenger	LM	1	Cutler Hammer	GHC	1-3	General Bect	TEY	1-3	Siemens ITE	E4	1-3	Square D	QO-SWN	2-3
Challenger	NEJ	1-2	Cutler Hammer	GHC GFEP	1	General Bect	TF	1-3	Siemens ITE	ED	1-3	Square D	QOU	2-3
Crouse Hinds	MP	2	Cutler Hammer	HB AW	1	General Bect	TFC	3	Siemens ITE	ED4	1-3	Square D	QOU (tie bar)	2-3
Cutler Hammer	BA	1	Cutler Hammer	HB AX	1	General Bect	THED	1-3	Siemens ITE	ED6	1-3	Square D	QO-VH	2-3
Cutler Hammer	BAB	1	Cutler Hammer	HF D	1-4	General Bect	THEF	1-3	Siemens ITE	ED6-ET1	3	Sylvania GTE	QC	2
Cutler Hammer	BD	1	Cutler Hammer	HGHB	1	General Bect	THHQB	2-3	Siemens ITE	EE3	3	Sylvania GTE	Type C	2
Cutler Hammer	BR	1	Cutler Hammer	HGHC	1	General Bect	THHQB-A	1	Siemens ITE	EH3	3	Thomas & Be	F Frame	1-3
Cutler Hammer	BR	2-3	Cutler Hammer	HQP	1	General Bect	THHQB-S	1	Siemens ITE	EQP	4	Westinghouse	BA	1-3
Cutler Hammer	BRH	1	Cutler Hammer	HJ	3	General Bect	THHQC	1-3	Siemens ITE	ET	3	Westinghouse	BAB	1-3
Cutler Hammer	BRH	2	Cutler Hammer	QBGF	2	General Bect	THHQC-A	1	Siemens ITE	GF	1	Westinghouse	BR	1-3
Cutler Hammer	BRHH	2-3	Cutler Hammer	QBGFEP	2	General Bect	THHQC-S	1	Siemens ITE	HBL	1	Westinghouse	BR w/ tie bar	2-3
Cutler Hammer	BRHH	2	Cutler Hammer	QBHW	1	General Bect	THHQL	2-3	Siemens ITE	HBL	2-3	Westinghouse	EB	1-3
Cutler Hammer	CH	1	Cutler Hammer	QC	1	General Bect	THHQL-A	1	Siemens ITE	HBQ	1	Westinghouse	ED	
Cutler Hammer	CH	2-3	Cutler Hammer	QC	2-3	General Bect	THHQL-S	1	Siemens ITE	HBQ	2-3	Westinghouse	EH	1-3
Cutler Hammer	CH2	4	Cutler Hammer	QCD	1	General Bect	THQB	2-3	Siemens ITE	HE4	1-3	Westinghouse	EHD	1-3
Cutler Hammer	CHB	1	Cutler Hammer	QCD	2-3	General Bect	THQB-A	1	Siemens ITE	HED4	1-3	Westinghouse	FA	3
Cutler Hammer	CHB	2-3	Cutler Hammer	QCHW	1	General Bect	THQB-S	1	Siemens ITE	HED6	2-3	Westinghouse	FB	2-3
Cutler Hammer	CHP	1	Cutler Hammer	QCHW	2-3	General Bect	THQC	2-3	Siemens ITE	HHED6	2-3	Westinghouse	FD	1-4
Cutler Hammer	CHP	2-3	Cutler Hammer	QCHW	1	General Bect	THQC-A	1	Siemens ITE	HQJ2-H	3	Westinghouse	FDB	2-4
Cutler Hammer	CHQ	1	Cutler Hammer	QHCX	2-3	General Bect	THQC-AL	2-3	Siemens ITE	HQP	1	Westinghouse	FDC	2-4
Cutler Hammer	CHQ	2	Cutler Hammer	QHCX	1	General Bect	THQCS	1	Siemens ITE	HQP	2-3	Westinghouse	GB	1-3
Cutler Hammer	CHSW	2-3	Cutler Hammer	QHCX	2-3	General Bect	THQD	2-3	Siemens ITE	HQPP	1	Westinghouse	GBH	1-3
Cutler Hammer	CL	1	Cutler Hammer	QHPW	1	General Bect	THQDBL	3	Siemens ITE	HQPP	2-3	Westinghouse	GHB	1-3
Cutler Hammer	CL	2	Cutler Hammer	QHPX	1	General Bect	THQL	2-3	Siemens ITE	HQPPH	2	Westinghouse	HB AW	1
Cutler Hammer	CSR	1	Cutler Hammer	QPGF	2	General Bect	THQL-A	1	Siemens ITE	QJ2	2-3	Westinghouse	HB AX	1
Cutler Hammer	E125B	1-4	Cutler Hammer	QPGFEP	2	General Bect	THQL-S	1	Siemens ITE	QJ2-H	2-3	Westinghouse	HCA	3
Cutler Hammer	E125E	1-4	Cutler Hammer	QPHW	1	General Bect	TJC	2-3	Siemens ITE	QJH2	2-3	Westinghouse	HF B	1-3
Cutler Hammer	E125H	1-4	Fed. Pacific	EBAB	1	General Bect	TKC	3	Siemens ITE	QP	1	Westinghouse	HF D	1-4
Cutler Hammer	E125S	1-4	Fed. Pacific	EN A single	3	General Bect	TQB	2-3	Siemens ITE	QP	2-3	Westinghouse	HMC P	
Cutler Hammer	ED	2-4	Fed. Pacific	EN A tie bar	2	General Bect	TQB-A	1	Siemens ITE	QP1	1	Westinghouse	HONP	3
Cutler Hammer	EDC	2-4	Fed. Pacific	ENB	1	General Bect	TQB-S	1	Siemens ITE	QPH	1	Westinghouse	HQP	1
Cutler Hammer	EDH	2-4	Fed. Pacific	ENB H GFI	1	General Bect	TQC	2-3	Siemens ITE	QPH	2-4	Westinghouse	MCPO	3
Cutler Hammer	EFH	1-4	Fed. Pacific	ENP single	1	General Bect	TQC-A	1	Siemens ITE	QPP	1	Westinghouse	P	3
Cutler Hammer	EGB	1-4	Frank Adams	P	1	General Bect	TQC-S	1	Siemens ITE	QPP	2-3	Westinghouse	QBHW	1
Cutler Hammer	EGE	1-4	General Bect	HQC	3	General Bect	TQL-A	1	Siemens ITE	QPPH	1	Westinghouse	QC	1
Cutler Hammer	EGS	1-4	General Bect	SED	2-3	General Bect	TQL-S	1	Siemens ITE	QPPH	2-3	Westinghouse	QCHQ	1
Cutler Hammer	EHC	1-4	General Bect	SEH	2-3	Siemens ITE	BL	1	Square D	EDB	1-3	Westinghouse	QHCW	1
Cutler Hammer	EHD	1-4	General Bect	SEL	2-3	Siemens ITE	BL	2-3	Square D	EGB	1-3	Westinghouse	QH CX	1
Cutler Hammer	FB	2-3	General Bect	SEP	2-3	Siemens ITE	BLF-GFI	2	Square D	EHA	1-3	Westinghouse	QHPW	1
Cutler Hammer	FC	1-4	General Bect	SFH	2-3	Siemens ITE	BLH	1	Square D	EHB	1-3	Westinghouse	QPHW	1
Cutler Hammer	FD	1-4	General Bect	SFL	2-3	Siemens ITE	BLH	2-3	Square D	EHB	2-3	Westinghouse	Quicktag P	
Cutler Hammer	FDB	2-4	General Bect	SFP	2-3	Siemens ITE	BQ	1	Square D	EJB	1-3	Westinghouse	RE	
Cutler Hammer	FDC	2-4	General Bect	TB	2	Siemens ITE	BQ	2-3	Square D	FDA		Westinghouse	WPHK	1
Cutler Hammer	FS	2-3	General Bect	TBC	2	Siemens ITE	BQCH	1-3	Square D	F GA	3	Zinsco	HQB	6
Cutler Hammer	GB	1-3	General Bect	TE	1-3	Siemens ITE	BQD	1-3	Square D	Q1B	2-3	Zinsco	QB	1

**Details:  
MSDS Information**

**1. HAZARDS IDENTIFICATION**

This product is NOT DANGEROUS and contains no hazardous ingredients.

**2. FIRST AID MEASURES/HEALTH INFORMATION/PROTECTION**

Eye Contact:	Not applicable, product is inert
Ingestion:	Not applicable, first aid is not normally required.
Inhalation:	Not applicable
Skin Contact:	Not applicable, product is inert, except if product is melted use gloves. For hot melted product, immerse in or flush affected area with water to dissipate heat, then obtain medical attention.
Exposure Limits:	None
Threshold Limits	None
Personal Protection:	None (ambient conditions)
NPCA-HMIS Rating:	Health: 0; Flammability: 1; Reactivity: 0
NFPA-704 Rating:	Health: 0; Flammability: 1; Reactivity: 0

**3. FIRE-FIGHTING MEASURES**

<ul style="list-style-type: none"> <li>Be cautious of hot melted Nylon</li> <li>Isolate product from fire</li> </ul>	<ul style="list-style-type: none"> <li>Use water spray to cool fire, exposed surfaces, and to protect personnel</li> <li>Respiratory and eye protection is required for fire fighting personnel</li> </ul>
--	--

<ul style="list-style-type: none"> <li>Extinguish fire with water spray</li> </ul>	<ul style="list-style-type: none"> <li>Decomposition products under fire conditions: Oxygen-lean conditions may cause monoxide and irritating smoke</li> </ul>
--	--

**4. ACCIDENTAL RELEASE MEASURES**

Land	Recover material and place in suitable container for reuse or for disposal in conformance with local regulations.
Water	Recover material and place in suitable container for reuse or for disposal in conformance with local regulations.

**5. HANDLING AND STORAGE**

5.1 Handling	5.2 Storage
No precautions noted-see local regulation if needed	Storage pressure: Atmospheric
	Storage temperature: Ambient, no direct sunlight

**6. EXPOSURE CONTROLS/PERSONAL PROTECTION**

6.1 Exposure limit values	6.2 Exposure Controls
None	6.2.1 Occupational Exposure Controls
	6.2.1.1 Respiratory Protection: Not applicable
	6.2.1.2 Hand Protection: Not applicable
	6.2.1.3 Eye Protection: Not applicable
	6.2.1.4 Skin Protection: Not applicable
	6.2.2 Environmental Exposure Controls: No data available

**7. PHYSICAL AND CHEMICAL PROPERTIES**

General Information	
Other Information	

**8. STABILITY AND REACTIVITY**

8.1 Conditions to Avoid
Higher Temperatures and direct sunlight (chemical resistance is excellent)
Highly stable, but temperatures over 480 F may cause degradation
8.2 Materials to Avoid
No data available
8.3 Hazardous Decomposition Products
Under fire and oxygen-lean conditions may cause monoxide and irritating smoke

**9. ECOLOGICAL INFORMATION**

9.1 Ecotoxicity	No data available
9.2 Mobility	No data available
9.3 Persistence and Degradability	No data available
9.4 Bioaccumulative Potential	No data available
9.5 Other Adverse Effects	No data available

**10. DISPOSAL CONSIDERATIONS**

None of the materials in this product are Recyclable, dispose of all materials in accordance with an applicable federal, state, and local law.
--

**11. TRANSPORT INFORMATION**

No data available
-------------------

**12. REGULATORY INFORMATION**

This product has been tested and validated to the Regulatory Requirements listed below.	
<ul style="list-style-type: none"> <li>OSHA 29 CFR 1910.147 (4)(ii)(A)(1)(c)(5)(ii)(C)(1)</li> </ul>	<ul style="list-style-type: none"> <li>ANSI Standard Z244</li> </ul>

**13. OTHER INFORMATION**

No data available
-------------------

**Trademarks:**

**Note:** All values shown are averages and should not be used for specification purposes.

Test data and test results contained in this document are for general information only and shall not be relied upon by Brady customers for designs and specifications, or be relied on as meeting specified performance criteria. Customers desiring to develop specifications or performance criteria for specific product applications should contact Brady for further information.

Product compliance information is based upon information provided by suppliers of the raw materials used by Brady to manufacture this product or based on results of testing using recognized analytical methods performed by a third party, independent laboratory. As such, Brady makes no

independent representations or warranties, express or implied, and assumes no liability in connection with the use of this information.

**WARRANTY**

Brady products are sold with the understanding that the buyers will test them in actual use and determine for themselves their adaptability to their intended uses. Brady warrants to the buyers that its products are free from defects in material and workmanship, but limits its obligation under this warranty to replacement of the product shown to Brady's satisfaction to have been defective at the time Brady sold it. This warranty does not extend to any persons obtaining the product from the buyers. This warranty is in lieu of any other warranty, express or implied, including, but not limited to, any implied warranty of merchantability or fitness for a particular purpose, and of any other obligations or liability on Brady's part. Under no circumstances will Brady be liable for any loss, damage, expense, or consequential damages of any kind arising in connection with the use, or inability to use, Brady's products.

Copyright 2016 Brady Worldwide, Inc. | All Rights Reserved  
Material may not be reproduced or distributed in any form without written permission.

---

Lockout/Tagout | 6555 West Good Hope Road | Milwaukee, Wisconsin 53223 | USA | Tel: 414-358-6600 | Fax: 414-228-5770